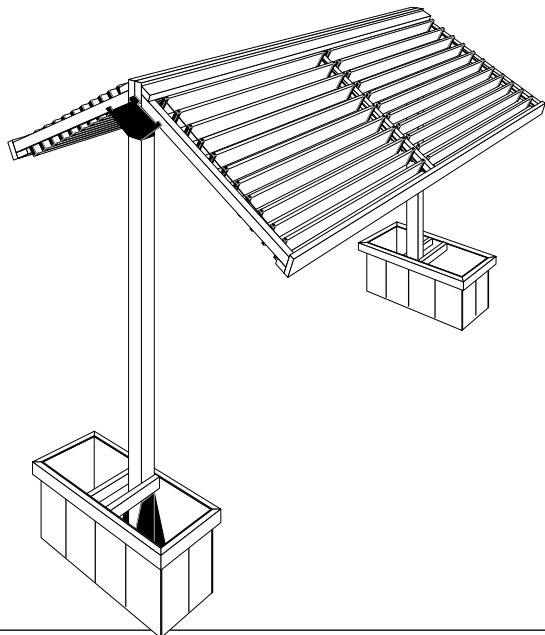
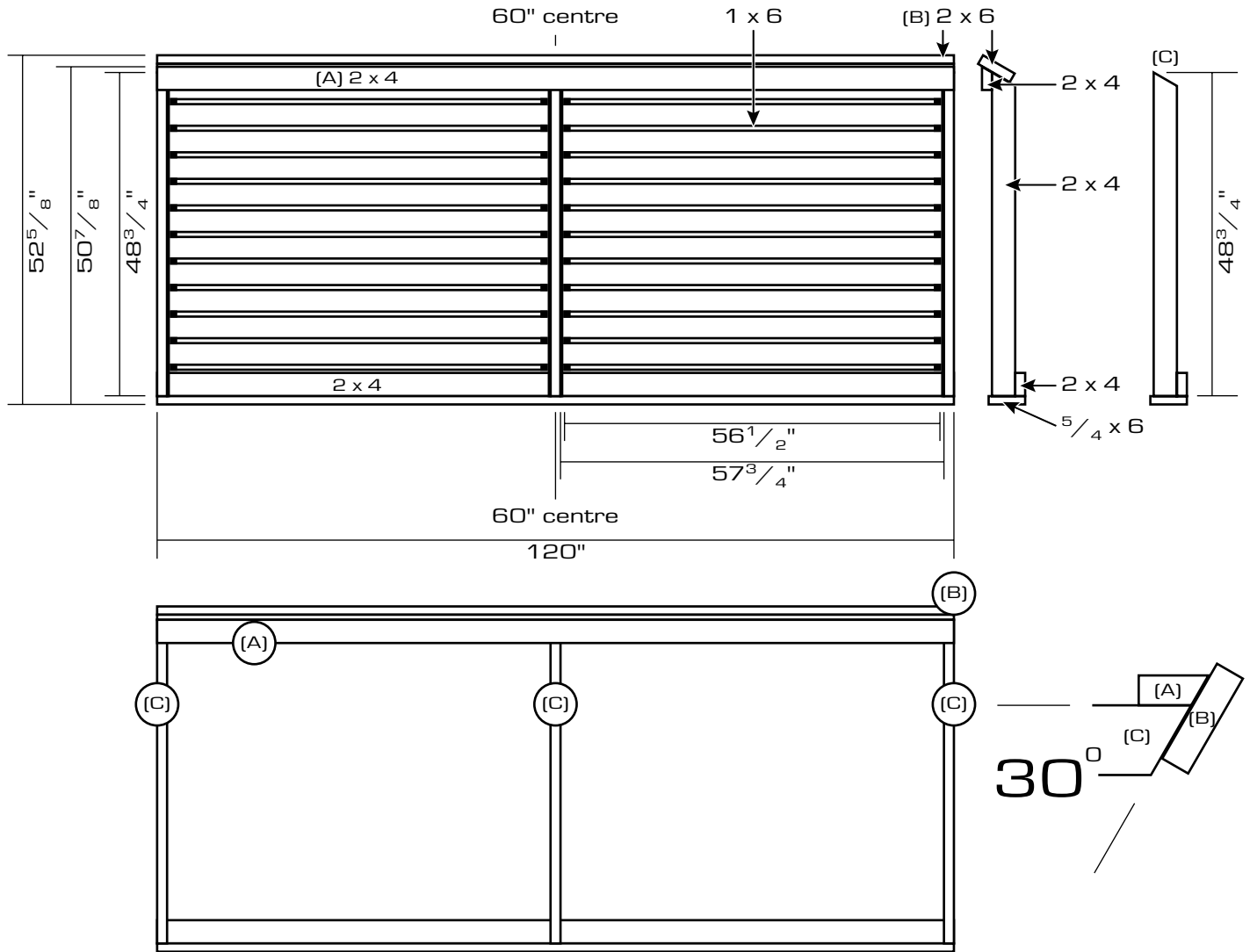
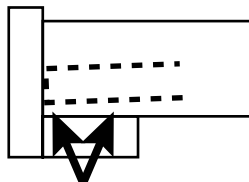
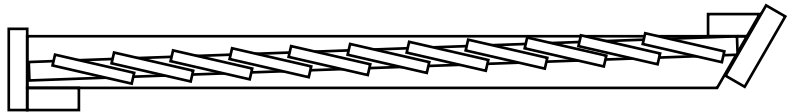


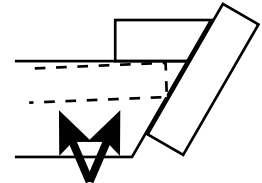
Roof Section Plan



TIP:



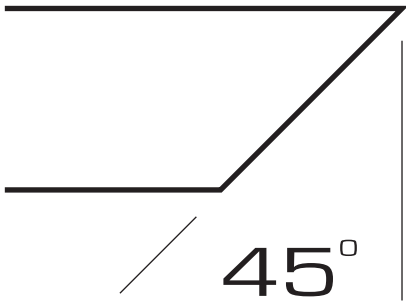
Use a small piece of 1 x 6 to raise this end of the track.



Position other end of track as indicated.

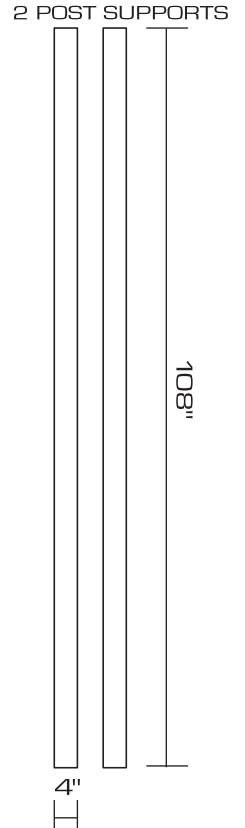
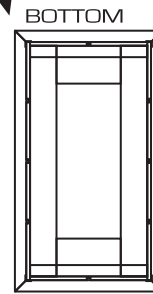
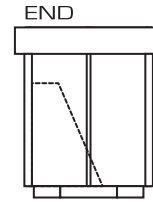
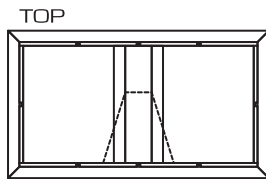
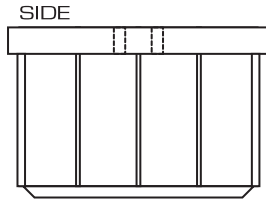
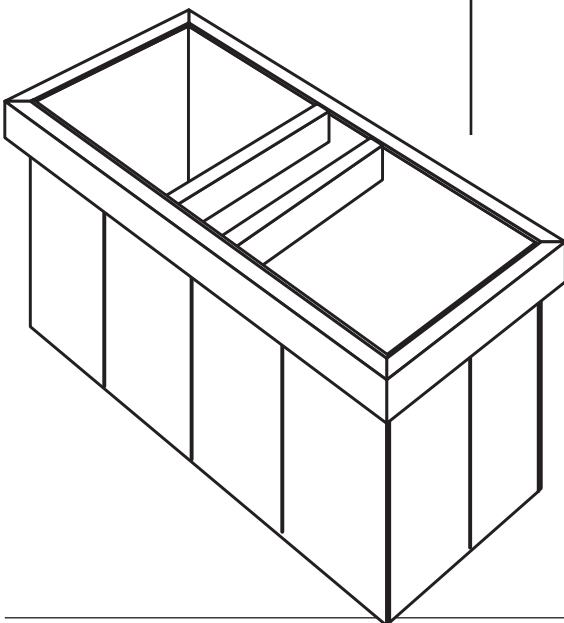
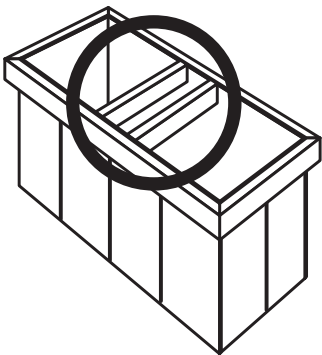
It will help with the control arm assembly later.

Planter Box Plan

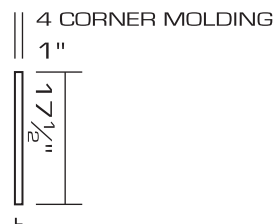
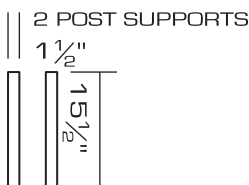
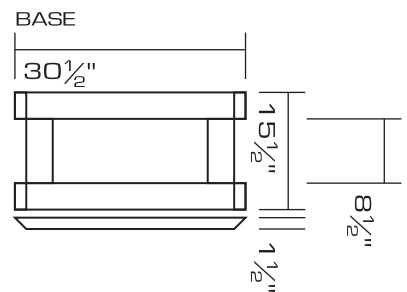
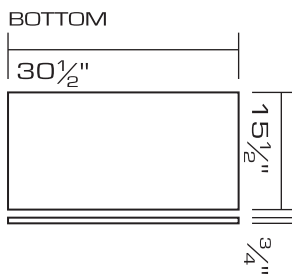
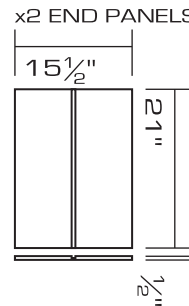
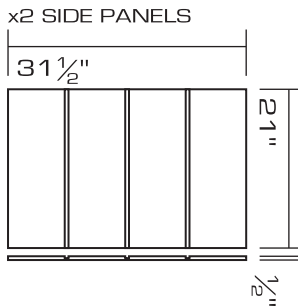
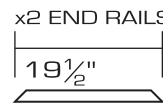
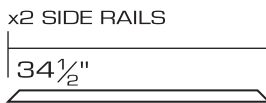


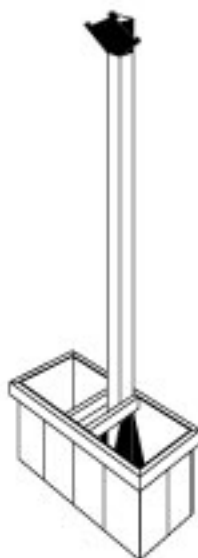
ALL angle cuts are the same.

Install Post Supports after the steel base and post have been positioned properly.



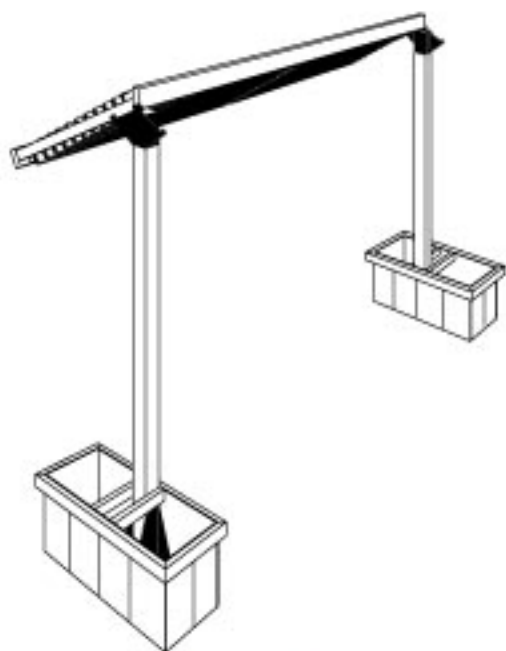
Correct position for steel base.





Step1

Step2



Step3

Step4



Step5