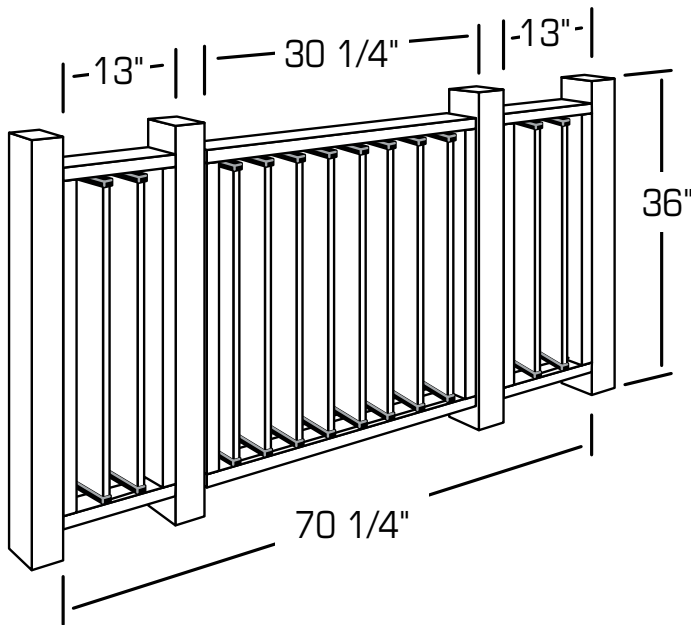


# Post Railing

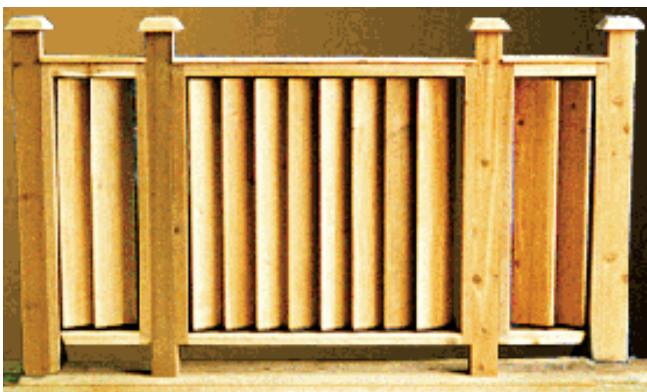
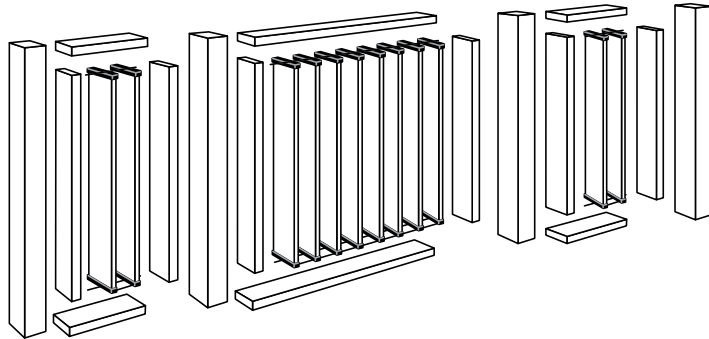


## MATERIAL LISTING

1. 2/kits FLEX•fence
2. 2/pcs.- 2" x 4" x 34"
3. 4/pcs.- 2" x 4" x 10"
4. 6/pcs.- 2" x 4" x 35 1/4"
5. 10/pcs.- 1" x 6" x 31"
6. 4/pcs.- 4" x 4" x 43 1/4"
7. 4/pcs.- Post tops (optional)
8. 33/pcs.- #8-2" wood screws
9. 1" finishing nails
10. Exterior grade carpenter's glue

## TOOLS REQUIRED

1. Pencil
2. Measuring Tape
3. #1 Robertson Screw Driver-Green Handle or (Philips Screw Driver)
4. #2 Robertson Screw Drive-Red Handle (Philips -Screw Driver)
5. Hand Saw
6. Hammer
7. Chissel
8. Combination Square
9. Protective Eyewear
10. Level



## OPTIONAL TOOLS

- \* Drill with appropriate bits & counter sink bit
- \* Router with decorative bits
- \* Power saws - Mitre & Skill