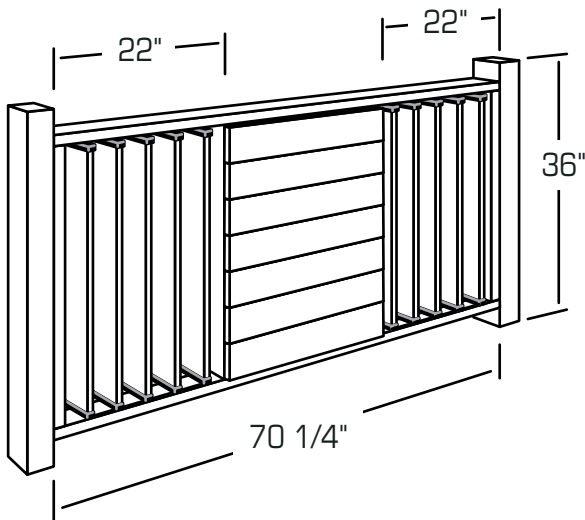


### MATERIAL LISTING

1. 1/kit FLEX•fence
2. cut track into 2 sections measuring 22" each. (leave 3 " from 1st pre-punched hole)
3. 2/pcs. - 4" x 4" x 4'
4. 10/pcs. - 1" x 6" x 31 3/4"
5. 6/pcs. -1" x 6" x 24 3/4"
6. 2/pcs.-1" x 4" x 36"
7. 2/pcs. - 2" x 4" x 33"
8. 2/pcs. - 2" x 4" x 69"
9. 1" finishing nails



### TOOLS REQUIRED

1. Pencil
2. Measuring Tape
3. #1 Robertson Screw Driver-Green Handle or (Philips Screw Driver)
4. #2 Robertson Screw Drive-Red Handle (Philips -Screw Driver)
5. Hand Saw
6. Hammer
7. Chissel
8. Combination Square
9. Protective Eyewear
10. Level

### OPTIONAL TOOLS

- \* Drill with appropriate bits & counter sink bit
- \* Router with decorative bits
- \* Power saws - Mitre & Skill

